



Multi-Modality Monitor RadiForce® RX660



A 6 megapixel monitor ideal for viewing a variety of medical images at the same time including CR, DR, CT, MRI, and ultrasound. Featuring a new design and unique EIZO technology, this monitor offers precise medical image viewing as well as ease-of-use.

Work-and-Flow

Evolve Your Image Reading

As more image modalities become digitalized, radiologists are viewing an increasing amount of information on their screens. EIZO's unique Work-and-Flow technology alleviates the complexity of the imaging workflow with new functions developed with the radiologist in mind. Users can take advantage of Work-and-Flow features with the RadiForce RX660 and bundled RadiCS LE software.

Quick Information Referencing

The Hide-and-Seek function enables users to easily hide the PinP (Picture in Picture) window not currently in use and reopen it as needed by moving the mouse cursor to the edge of the screen. This eliminates the need for an extra monitor while still allowing quick and efficient viewing of reports, patient charts, and other information.



Hide-and-Seek

Barrier-Free Workstyle

With the Switch-and-Go function USB switching is done within the monitor. This enables users to use a single keyboard and mouse across two PCs. Users can easily work on either PC by simply moving the mouse cursor across the screens. This enhances work efficiency and creates a cleaner workspace.



Switch-and-Go





RadiForce® RX660

Achieve Clarity True to the Source Data

A medical monitor needs to be capable of high brightness in order to meet performance standards. However, in order to achieve high brightness in an LCD panel, the pixel aperture ratio has to be increased. This causes a typically unavoidable decline in sharpness. With EIZO's unique Sharpness Recovery technology, the decrease in sharpness (MTF) is restored. This allows you to display an image safely on the monitor that is true to the original source data, even at high brightness levels.

Create the Ideal Environment

The black front bezels are ideal for viewing the screen in dark reading rooms, making it easier to focus on images, while the original white stripe around the sides of the monitor presents a fresh, clean aesthetic.

Save Work Space with Sleek Cabinet Design

Compared to its predecessor, the monitor's width and depth were reduced by 9.5 mm and 56.5 mm respectively. In addition, the size of the power supply was greatly reduced and now comes built into the monitor. This results in a monitor that takes up 23% less space, giving you more room for other tasks. It is also 6 kg lighter than the previous model for ease of installation.

Hassle-Free Multi-Monitor Configuration

The monitor is equipped with DisplayPort 1.2 input and output terminals. Using a single cable connected to the input terminal, the monitor displays 6 megapixel resolution. In addition, using the output terminal allows you to easily configure several monitors in a daisy chain sequence without the hassle of excessive cabling.

Seamlessly View Images

The monitor is equipped with Picture by Picture (PbyP) to allow you to view input from two separate video signals on a single screen. In addition, the monitor's slim bezels offers a more comfortable multi-monitor layout for viewing images side-by-side for seamless viewing.

Variations for Specific User Needs

EIZO offers anti-glare (AG) and anti-reflection (AR) screen variations to suit user environments. AG treatment is ideal for exceptionally bright environments and drastically reduces glare from ambient lighting. AR treatment is ideal for moderately-lit environments to reduce mild screen glare while maintaining crisp text and images.

Make the Precise Diagnosis

EIZO carefully measures and sets each grayscale tone to create a monitor compliant with DICOM Part 14. This ensures the most consistent shading possible, allowing for the most accurate diagnosis.

Manage Effortless Quality Control

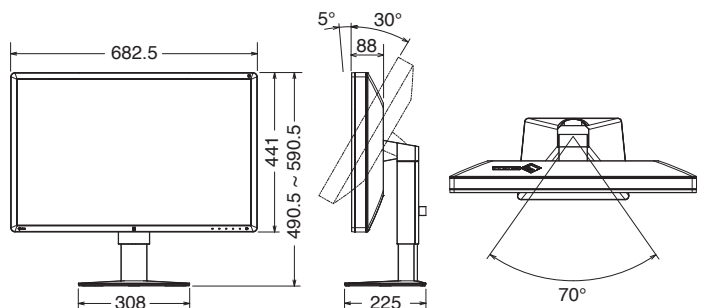
A built-in Integrated Front Sensor (IFS) measures brightness and grayscale tones to calibrate to DICOM Part 14. The IFS does not interfere with the viewing area while in use to cut workload and maintenance costs needed for monitor quality control.

Specifications

Model Variations	RX660: Anti-Glare coating RX660-AR: Anti-Reflection coating	
Cabinet Color	Black	
Panel	Type	Color (IPS)
	Backlight	LED
	Size	76 cm / 30.0"
	Native Resolution	3280 x 2048 (16:10 aspect ratio)
	Viewable Image Size (H x V)	645.5 x 403.0 mm
	Pixel Pitch	0.1968 x 0.1968 mm
	Display Colors	10-bit colors (DisplayPort) : 1.07 billion (maximum) colors 8-bit colors: 16.77 million from a palette of 68 billion colors
	Viewing Angles (H / V, typical)	176° / 176°
	Brightness (typical)	1000 cd/m ²
	Recommended Brightness for Calibration	500 cd/m ²
Contrast Ratio (typical)	1500:1	
Response Time (typical)	25 ms (on / off)	
Video Signals	Input Terminals	DVI-D (dual link) x 1, DisplayPort x 2
	Output Terminals	DisplayPort x 1 (daisy chain)
	Digital Scanning Frequency (H / V)	31 - 127 kHz / 22 - 61 Hz Frame synchronous mode: 29.5 - 30.5 Hz, 59 - 61 Hz
USB	Function	2 upstream, 3 downstream
	Standard	USB 2.0
Power	Power Requirements	AC 100 - 240 V: 50 / 60 Hz
	Maximum Power Consumption	190 W
	Typical Power Consumption	93 W
	Power Save Mode	Less than 1.6 W
	Power Management	DVI DMPM, DisplayPort 1.2a
Sensor	Backlight Sensor, Integrated Front Sensor, Presence Sensor, Ambient Light Sensor	
Features & Functions	Brightness Stabilization	Yes
	Digital Uniformity Equalizer	Yes
	Preset Modes	CAL Switch
	OSD Languages	English, German, French, Italian, Japanese, Simplified Chinese, Spanish, Swedish, Traditional Chinese
Physical	Net Weight	14.2 kg
Specifications	Net Weight (Without Stand)	10.1 kg
	Hole Spacing (VESA Standard)	100 x 100 mm
Certifications & Standards	CE (Medical Device Directive), EN60601-1, ANSI/AAMI ES60601-1, CSA C22.2 No. 601-1, IEC60601-1, VCCI-B, FCC-B, CAN ICES-3 (B), RCM, RoHS, China RoHS, WEEE, CCC, EAC <i>(Please contact the EIZO group company or distributor in your country for the latest information.)</i>	
FDA 510(k) Clearance	Yes (for General Radiography*)	
Supplied Accessories	AC power cord, signal cables (DVI-D - DVI-D [dual link supported], DisplayPort - DisplayPort x 2, short DisplayPort - DisplayPort), USB cable x 2, cable cover, Utility Disk (RadiCS LE, PDF installation manual), instructions for use <i>(May vary by country. Please contact EIZO for details.)</i>	
Warranty	Five Years	

*Display of mammography images for diagnosis is not supported.

Dimensions (Unit: mm)



EIZO Corporation

153 Shimokashiwano, Hakusan, Ishikawa 924-8566 Japan

Phone +81-76-277-6792 Fax +81-76-277-6793

www.eizoglobal.com

All product names are trademarks or registered trademarks of their respective companies. EIZO, RadiForce, RadiCS, and RadiNET are registered trademarks of EIZO Corporation. Specifications are subject to change without notice.

Copyright© 2017 EIZO Corporation. All rights reserved. (161009D)